

ESSENCE

# W67ST HI<sup>2</sup>

elvial



## OPENING SYSTEM

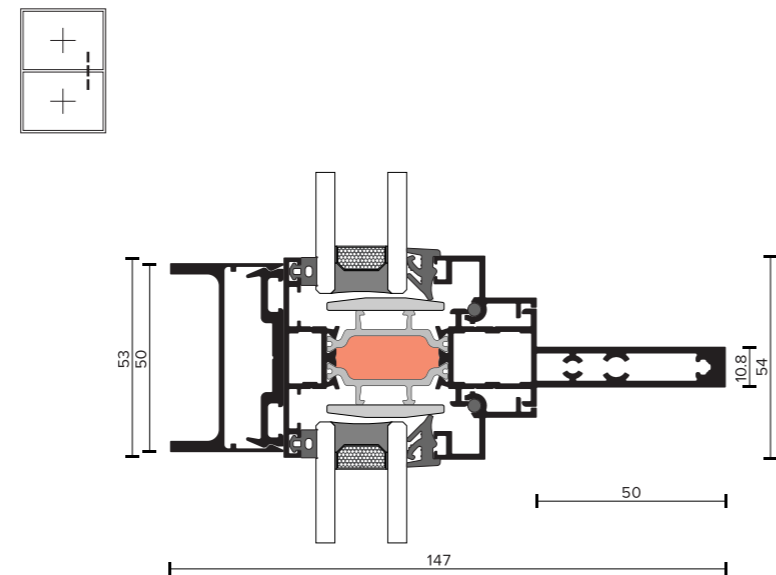
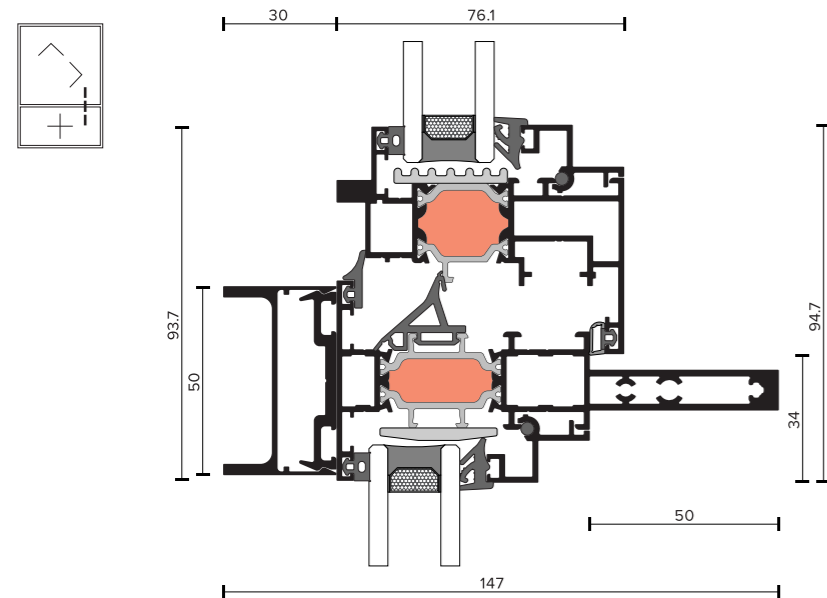
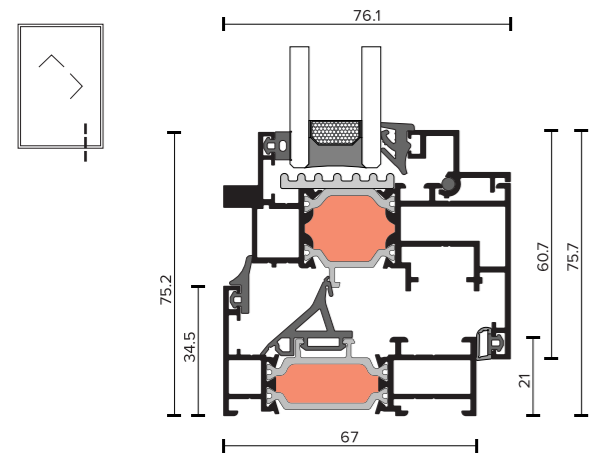
---

The astragal bars on this profile are an additional design element that offers versatility and depth to your aesthetic approach. The features and technologies will offer comfort and satisfaction to the users of your project. ELVIAL happily guarantees all.

ESSENCE

# W67ST HI<sup>2</sup>

This solution combines great technologies and our unparalleled sense of design to help you create an aesthetically pleasing and pleasant space for all its users.



## INWARD OPENING CONSTRUCTIONS



Single sash fixed



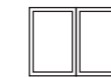
Single sash fixed with skylight



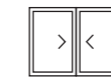
Single sash opening



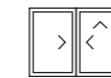
Single sash tilt & turn



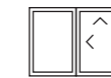
Double sash fixed



Double sash opening

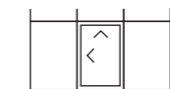


Double sash tilt & turn



Single sash tilt & turn with fixed part

## OUTWARD OPENING CONSTRUCTIONS



Special typology window wall

## TECHNOLOGY

### THERMAL INSULATION

- 1 **32mm** Insulating Bars in frame and **24mm** in sash Glass Fiber re-enforcement **25%**
- 2 **ELVIAL IP** \_ Innovative Insulation Technology
- 3 **Co-Extruded** Gasket
- 4 Foam **Insulating** Profile

### SEALING SYSTEM

- 1 Optimal 3-level Waterproofing with specially designed **EPDM** and Co-extruded Gaskets
- 2 **EPDM** Gasket Corners
- 3 **EPDM** End Cups for **Adjoining Profile**

### INNOVATION

- 1 **Ghost Glazing Gaskets** Minimizes the visible facet and renders the gaskets practically invisible

## EXTRA FEATURES

### HANDLES FOR UNIQUE STYLE



### COLORS



## ENERGY LEVELS

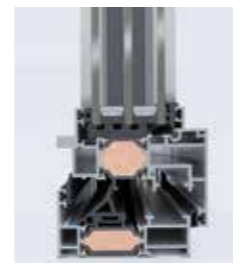


Level 1  
\*Uf:  $\geq 2.26$  W/m<sup>2</sup>K



Level 2  
\*Uf:  $\geq 1.88$  W/m<sup>2</sup>K

\*Energy performances concern the specific sash-frame combination



Level 3  
\*Uf:  $\geq 1.77$  W/m<sup>2</sup>K

## IDENTITY

### DESIGN

### PROPERTIES

## PERFORMANCE

### ENERGY

### COMFORT

System Depth		<b>67</b>	mm
Min Face Height Frame - Sash		<b>75.2</b>	mm
Min Face Height Threshold - Sash		-	
Min Face Height Middle Mullion		<b>112.7</b>	mm
Max Sash Height		<b>2.400</b>	mm
Max Sash Width		<b>1.200</b>	mm
Max Sash Weight		<b>150</b>	kg
Max Glass thickness		<b>46</b>	mm

**ESSENCE W67ST HI<sup>2</sup>** offers you endless solutions in both European groove mechanism **[CE]** and Multilock groove mechanism **[ML]**

Thermal Insulation Uf	EN ISO 10077-2	$\geq 1.4$ W/m <sup>2</sup> K
Air Permeability	EN 12207	<b>Class 4</b> [ 600Pa ]
Watertightness	EN 12208	<b>E900</b> [ 900Pa ]
Resistance to Wind Load	EN 12210	<b>C5 / B5</b> [ 2.000Pa ]

SEE LIFE FROM A DIFFERENT  
VIEW THROUGH ELVIAL'S  
ALUMINIUM SYSTEMS

**DISCOVER OUR INNOVATIVE  
TECHNOLOGIES**

ELVIAL I<sup>2</sup> INSULATION TECHNOLOGY  
ELVIAL PRE-ANODIZING 2IN1

**DISCOVER MORE ALUMINIUM  
SYSTEMS**

ICONIC W77 AI<sup>2</sup>  
ICONIC W77BS AI<sup>2</sup>  
ICONIC W77ST AI<sup>2</sup>

ESSENCE W67 HI<sup>2</sup>  
ESSENCE W67BS HI<sup>2</sup>

ELVIAL W59 SI<sup>2</sup>  
ELVIAL W60BS SI<sup>2</sup>

ESSENCE SL60 HI<sup>2</sup>  
ESSENCE SL60 HI<sup>2</sup> FLAT EDITION  
ELVIAL SL60 HI<sup>2</sup> CLASSIC  
ESSENCE SL50 HI<sup>2</sup> FLAT EDITION  
ELVIAL SL50 HI<sup>2</sup> CLASSIC

ELVIAL SL46 SI<sup>2</sup> CLASSIC  
ELVIAL SL46 SI<sup>2</sup> FLAT EDITION  
ELVIAL SL46 SI<sup>2</sup>\_MD

ICONIC D77 AI<sup>2</sup>  
ESSENCE D67 HI<sup>2</sup>

ESSENCE SD55  
ESSENCE CLADDING CL180